

Specifications of Senso box 20lt

Description : Isothermal system Box type +ice packs

Type(factory code) : SENSO 20 LT (**Cold chain**)

Customer : GSK HELLAS

External dimensions (lxwxh) 442 x 438x 324 mm (62.70LT)

Net Payload space dim (lxwxh) : 350x350x160 mm (19,62 LT)

Period use : October start to April end .

Target use : **For** Cold chain distribution in **NOT** controlled Exterior temp ,to secure safe transport of High risk products for 48 Hours ,keeping internal Temp between +2 °to +8 ° .

Materials specs/descriptions :

Exterior box : 3 layers kraft carton printed White box dim 442x438x324 mm

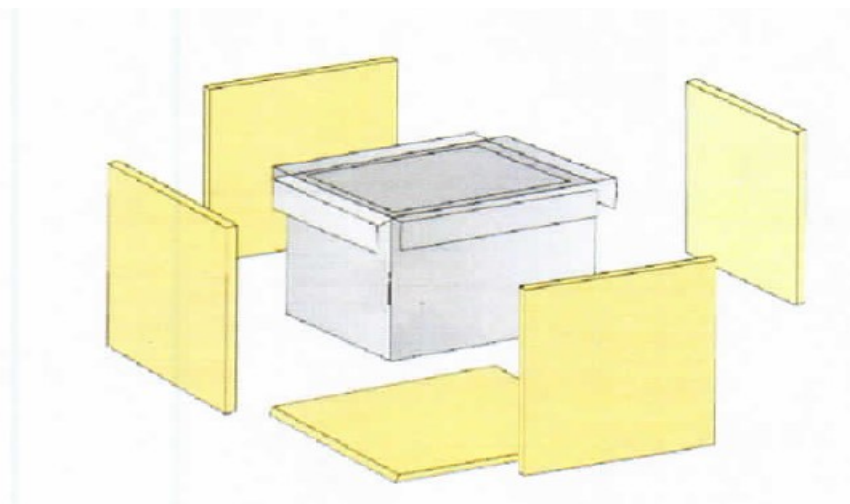
Isolation :PUR plates quality PIR thickness of 30 mm ,6 pcs as follows

2 pcs sides of mm 430x245(lxw)

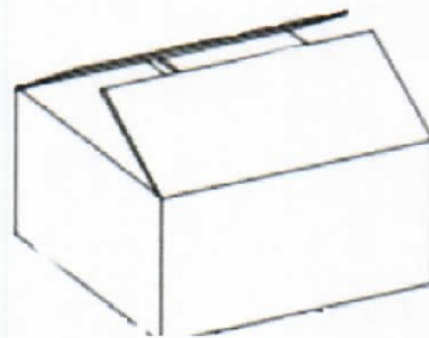
2 pcs sides of mm 372x245x(lxw)

Base and top lid (2 pcs) of mm 430x430 (lxw)

Isolated Shield :made of 3 layers :3 mm PU foam laminated with flame process ,with ALU foil enriched with glass fiber and laminated with carton 280/300 gsm rolls .This is a strong shield ,flexible shield ,used extra covering of PUR plates to ensure the high isolation and internal stability of Cold level .The aluminium side offers a reflection of cold air in the inner space of box



Internal payload space: This is the space where High risk products are stored for further distribution in cold chain .Made of the same Isothermal shield as described before and in a form of <<box>>,Dimensions are 350x350x160**mm** (lxwxh) offering 19,62lt **net space** as mentioned in start. Is totally isolated and the interior side which is the Alu side offers due to reflection of material ,a high level of isolation and stability of + 2 to +8 ° for cold chain transport requirements and for 48 hours



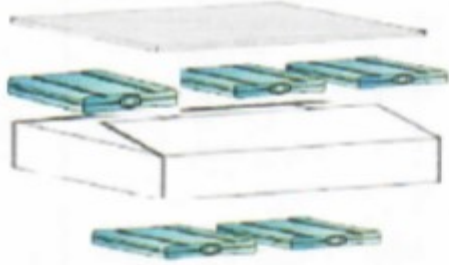
Icepacks :The ice packs is the freezing mean used in the Isothermal box to keep the High risks products cold during cold chain transport .The type of icepacks KTEMP uses ,is hard one ,ice packs are made in Greece by company PLASTICA which meets all the High demands & quality standards and offers a correct homogenous escalation of **de frost** during the cold chain transport .,
The type of ice packs used is **500gr (5X500 gr)** .
The ice packs are set in box as shown below & **exterior of internal payload space 3pcs up and 2 pcs down.**

Lid PIR cover :

Last but with high importancy is the PIR lid top which is sealing the Isothermal system .
A PIR PLATE of 30mm thickness ,in dimension of 330x265mm (lxw) covered in all sides by Alu foil ,offers a great & high reflection of cold ,directing this in the box inner space ,securing and assisting in same time the cold air circulation /distribution in the inner box space.

With hermetic sealing due to strong construction .

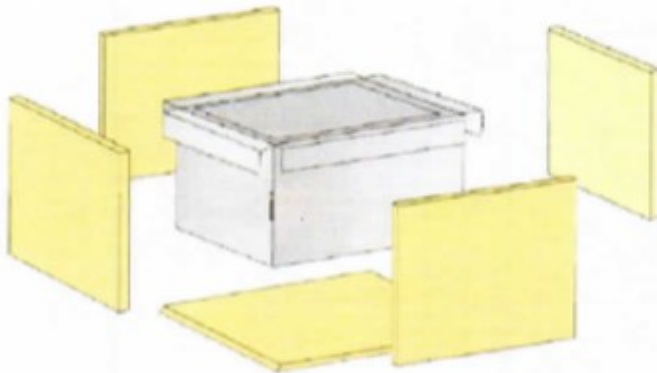




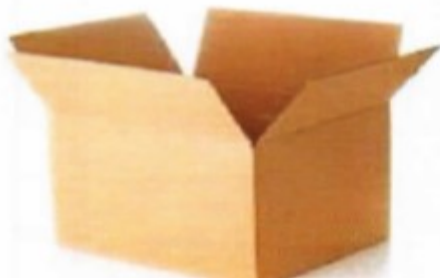
set of ice packs
5x500gr +top lid
hermetic cover



net payload space
made of isothermal
shield 3 layers



PIR plates isolation
+isothermal shield
cover



external carton box